

**mdi** ASESS are gamma irradiated single use disposable systems for aseptic fluid sampling at various stages in pharmaceutical and biopharmaceutical processing. These systems minimize chances of false positives and reduce cleaning requirements over traditional sampling systems.

## Validated for

- Sterility as per USP <71>
- Class VI Plastics as per USP <88>
- Cytotoxicity as per USP <87>
- Bacterial Endotoxin <0.25EU/ml
- TOC as per USP <643>
- Conductivity as per USP <645>

## Applications

Aseptic sampling of:

- Sterile bulk and sterile transfers
- Vaccine formulations at different maturation steps
- Fermentation cycles
- Cell culture from bioreactors

## Specifications

Operating Temperature : -20°C to 60°C

Operating Pressure : 5 psi

Steam in Place (Sanitary : 125°C for 30 min  
flange adaptor assembly)

### Materials of Construction

Bag : Multilayered Film type FBG-1

Tubing : Thermoplastic Elastomer  
Platinum Cured Silicone

Septum : Platinum Cured Silicone

Needle : 316L SS

**Sterility:** Gamma Irradiated

- 100% Integrity tested
- Non Animal Origin: Comply with the requirements laid down in the "Note for Guidance EMEA/410/01, rev. 03" for inputs of Non Animal Origin

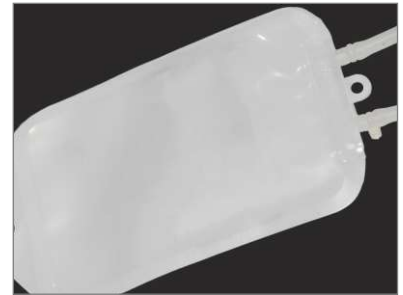
## Unique Performance Advantages



**Female luer ports with male luer cap on outlet tubing on each sampling bag for easy drawing of samples**



**Single cut off Safety Valve: Cuts off the entire Sampling system in case of any eventuality**



**Specially designed multilayered bag film**



## Needle Options



**1mm Needle for standard fluids**



**2mm Needle for viscous fluids**

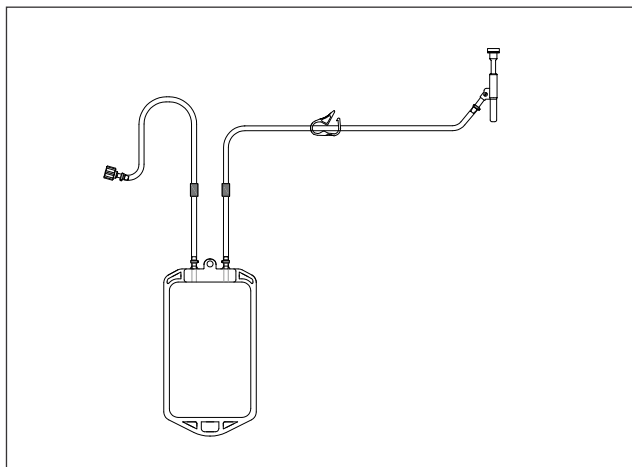
## Ordering Information

ASESS Aseptic Sampling Systems can be customized to suit user requirements regarding tubing sizes, sizes, sampling ports and vessel port. A technical feasibility of the required design is established based on available components and an initial drawing is proposed. Products prototyping and final approval leads to customized system realization. However, following standard ASESS sampling systems are also available.

### Gamma Sterile ASESS Aseptic Sampling Systems with 2mm Needle

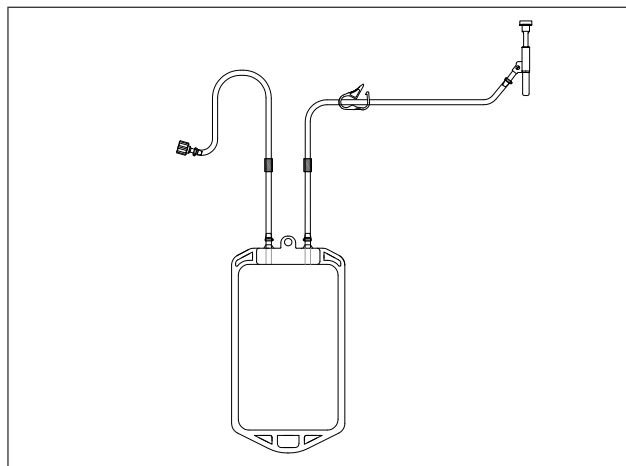
#### A028XXXXXXSS301

1x100 mL sampling bag



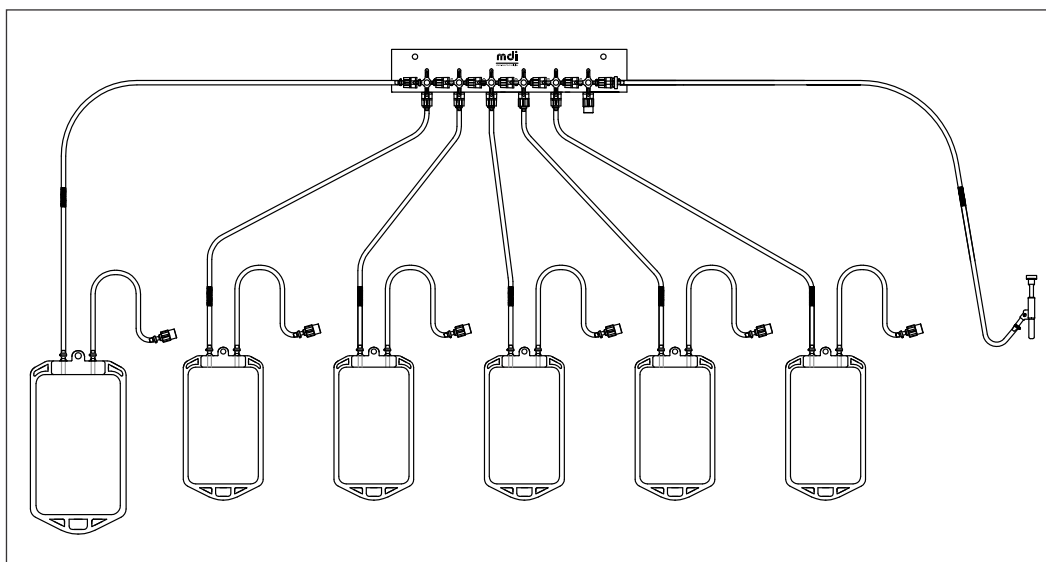
#### A029XXXXXXSS301

1x250 mL sampling bag



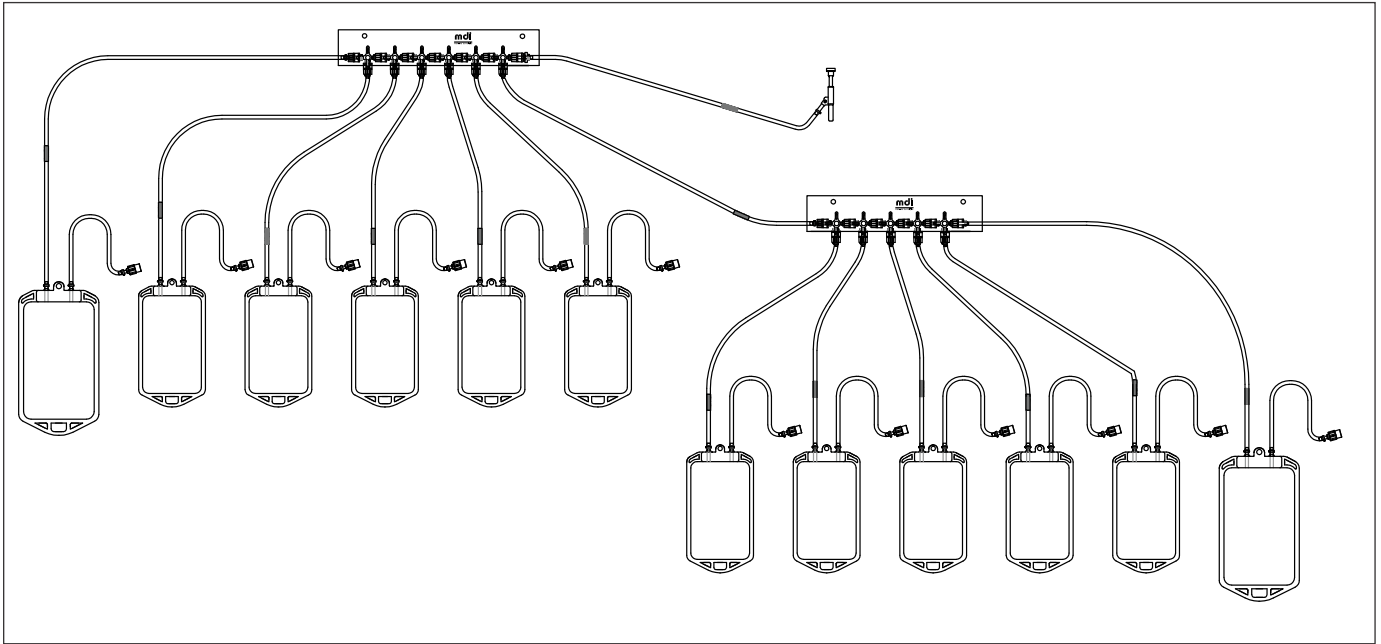
#### A044XXXXXXSS301

5x100 mL sampling bags and 1x250 mL drain bag



**A023XXXXXS301**

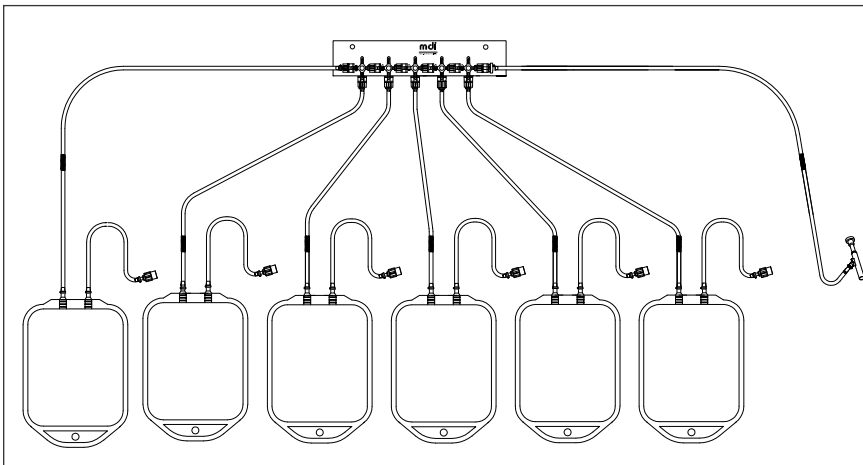
10x100 mL sampling bags and 2 x 250 mL drain bags



**Gamma Sterile ASESS Aseptic Sampling Systems with 1mm Needle**

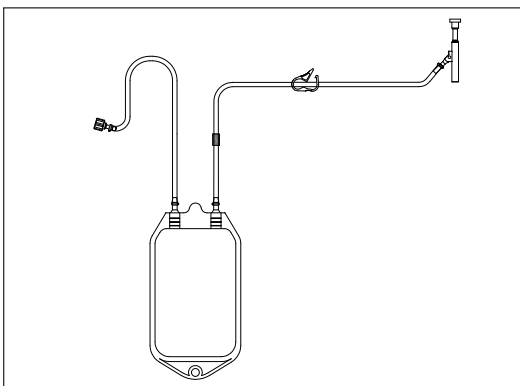
**A1359XXXXXS301**

5x250 mL sampling bags and 1x250 mL drain bag



**A1360XXXXXS301**

1x100mL sampling bag



## Accessories



**ASESS 25mm Sampling Port Connection for Single Sampling Port**



**In Gold Adapter - Sampling Port Connection for Two Sampling Ports**



**ASESS 50mm Sampling Port Connection for Five Sampling Ports**



**ASESS Crimping and Cutting Tool**



**ASESS Port Blind**



**ASESS *CrimpGard* Crimped Tube Cover**

## Ordering Information: Accessories

### ASESS Sampling Port Connection

#### **ASPC25XXXXXXXX01**

25mm sampling port connection for both 1mm or 2mm needle, single sampling port

#### **ASPCIG02XXXXXXXX01**

Ingold Adapter - Sampling port connection for both 1mm or 2mm needle, two sampling ports

#### **ASPCIG02XXLXX01**

Ingold Adapter for Longer Ingold Ports- Sampling port connection for both 1mm or 2mm needle, two sampling ports

#### **ASPC5005XXXXXXXX01**

50mm sampling port connection for both 1mm or 2mm needle, five sampling ports

### ASESS Crimping Tool

CTLXXXXXXXXXX01 for pack size of 1

### ASESS *CrimGard* Crimped Tube Cover

CGCXXXXXXXXXX02 for pack size of 10

### ASESS Port Blind

AASSBXXXXXXXX02 for pack size of 10

## **mdi Membrane Technologies INC.**

75 Utlely Drive STE 103, Camp Hill, PA 17011  
Phone: +1-717-412-0943, Fax: +1-717-695-9637  
E-mail: rs@mdimembranetech.com  
Website: www.mdimembranetech.com

## **ADVANCED MICRODEVICES PVT. LTD.**

20-21, Industrial Area, Ambala Cantt- 133 006, India  
Tel: +91 - 171-2699290, 2699471  
E-mail: info@mdimembrane.com  
Website: www.mdimembrane.com